

# REVOLUTIONARY

## Patented Replacement for Metal Springs

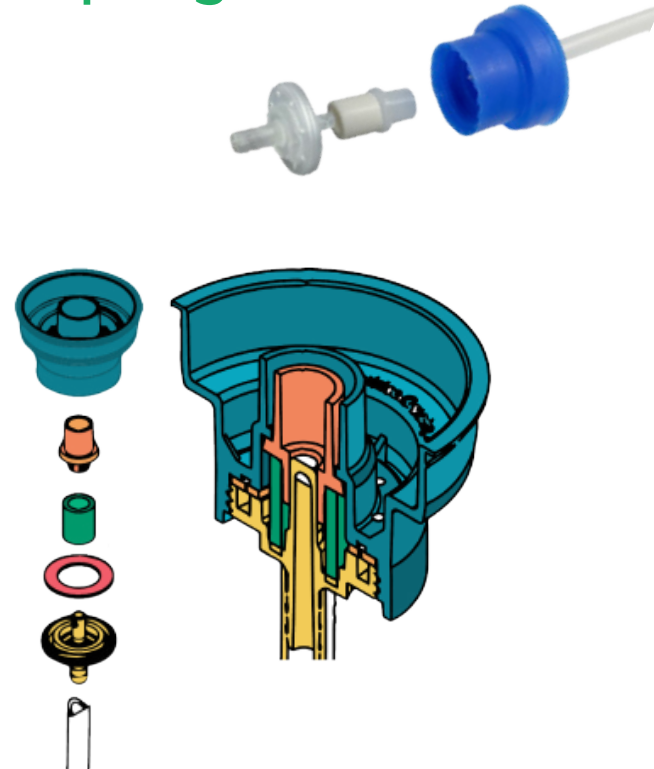
The GreenSpring™ is manufactured from TPE and is a revolutionary replacement for the metal spring. By replacing the metal within our Saftflo bottle inserts, we are able to offer a superior product that is sustainably manufactured with wider chemical compatibility.

There is no metal spring. Instead there is a replacement called the GreenSpring™.

## What it is How it Works

The GreenSpring™ is manufactured from TPE and is a revolutionary replacement for the metal spring.

By replacing the metal within our Saftflo bottle inserts, we are able to offer a superior product that is sustainably manufactured with wider chemical compatibility.



## Benefits

- Is compatible with your existing Saftflo®
- Cap Adapters, Saftflo® PDUs, and Saftflo® Wall
- Dispensers
- No metal parts
- Compatible with a range of chemicals because there is no metal corrosion | Longer product life
- A Closed-Loop solution for chemical containment  
Prevents leaks and spills during transportation
- Protects end-users when transporting chemicals  
Truly recyclable
- Made in Omaha, Nebraska USA

## Key Features

- Available in standard | medium flow rates can be included in all Saftflo® Bottle Inserts Materials: HDPE
- Works with industry standard sizes  
Sustainably manufactured