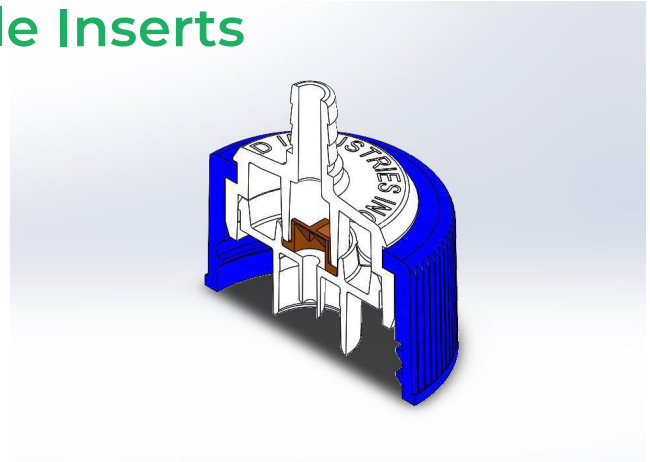


REVOLUTIONARY

OneFlo™ Cap Adapter | Compatible with ALL SaFTFlo™ and OneFlo™ Bottle Inserts

Changing bottles of chemical over before they are empty has created potential safety hazards in the past. Potentially older systems could lose prime causing the chemical to leak out. The OneFlo™ Cap Adapter has a superior flow rate while sustaining total containment of the chemical within the container both before and after application. A cross-slit valve prevents the chemical line from emptying when changing chemicals, ensuring no chemical contact and a reduction in waste.



What it is How it Works

The OneFlo™ Cap Adapter is a revolutionary cap adapter that provides a more secure system for dispensing chemicals.

The OneFlo™ Cap Adapter gives a superior flow rate while maintaining total containment of the chemical within the container both before and after application.

The cross slit valve prevents the chemical line from losing prime when being changed. There is no chemical contact and reduction in waste.

Benefits

- Compatible with OneFlo™ and SaFTflo Bottle Inserts
- When used in conjunction with the OneFlo™ Inserts, it provides the best seal for chemical containment and dispensing on the market
- Chemical line does not empty during chemical change over
- Superior flow rate
- Truly recyclable
- Made in Omaha, Nebraska USA

Key Features

- Enables the container of chemical to reseal once opened
- No metal parts
- Sizes: 38mm | 40mm | 53mm | 60mm | 63mm | 70mm
- Straight barb top housing | 3/8
- Materials: Polypropylene | Kynar | EPDM | Viton
- Available in natural or 11 colors

