



OneFlo™ Cap Adapter

Revolutionary OneFlo™ Cap Adapter | Compatible with all Saftflo™ and OneFlo™ Inserts

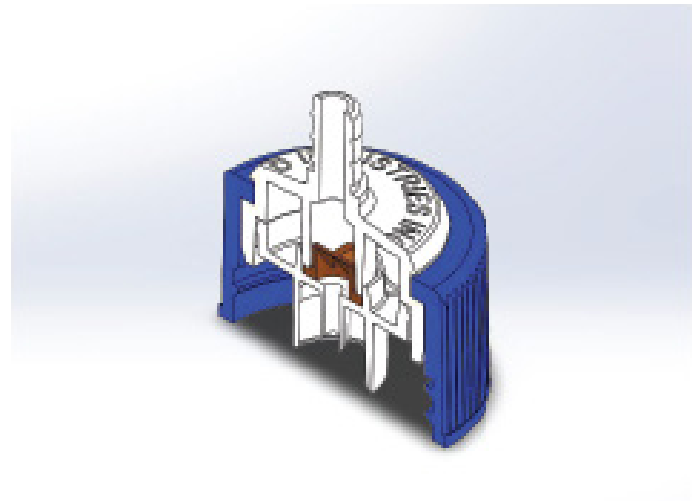
BENEFITS

- Compatible with OneFlo™ and Saftflo Bottle Inserts
- When used in conjunction with the OneFlo™ Inserts, it provides the best seal for chemical containment and dispensing on the market
- Chemical line does not empty during chemical change over
- Superior flow rate
- Truly recyclable

KEY FEATURES

- Enables the container of chemical to reseal once opened
- No metal parts
- Sizes: 38mm | 40mm | 53mm | 60mm | 63mm | 70mm
- Straight barb top housing | 3/8
- Materials: Polypropylene | Kynar | EPDM | Viton

PATENT: 10,576,702



Changing bottles of chemical over before they are empty has created potential safety hazards in the past. Potentially older systems could lose prime causing the chemical to leak out.

The OneFlo™ Cap Adapter has a superior flow rate while sustaining total containment of the chemical within the container both before and after application. A cross-slit valve prevents the chemical line from emptying when changing chemicals, ensuring no chemical contact and reduction in waste.

The OneFlo™ Cap Adapter is a revolutionary cap adapter that provides a more secure system for dispensing chemicals.

Made In USA



rdindustries.com
sales@rdindustries.com
P: 1.800.759.7090